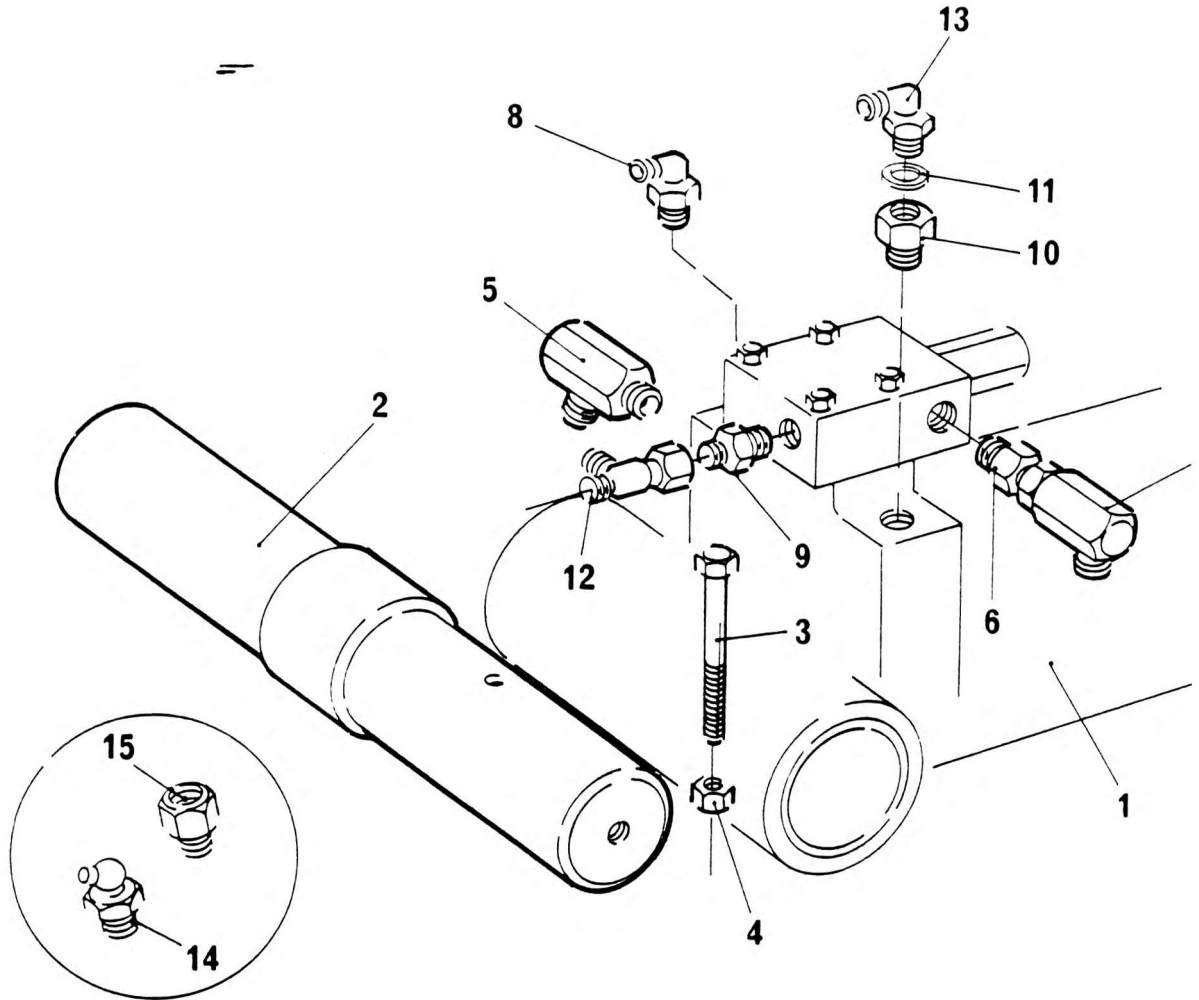


LIFT CYLINDER INSTALL



NO.	PART NO.	QTY.	DESCRIPTION	NO.	PART NO.	QTY.	DESCRIPTION
1 +	6-372-004174	1	Cylinder Lift				
2	6-810-001977	1	Lower Shaft				
3	7-115-225250	1	Bolt				
4	7-660-221603	1	½" Dia. Locknut				
5	7-364-001585	1	Swivel Joint				
6	7-447-121601	1	Adaptor				
7	7-443-990953	1	Coupling Swivel				
8	7-447-040603	1	Elbow				
9	7-447-040601	1	Adaptor				
10+	6-926-990310	1	Surge Valve Assy				
11	7355301	1	Seal Dowty ½" Dia.				
12	7-447-040434	1	Run Tee				
13	7-447-040433	1	Elbow				
14	7109801	4	Nipple Grease ½"BSP				
15	6-443-990048	1	Adaptor				
+ See further breakdown in this group							